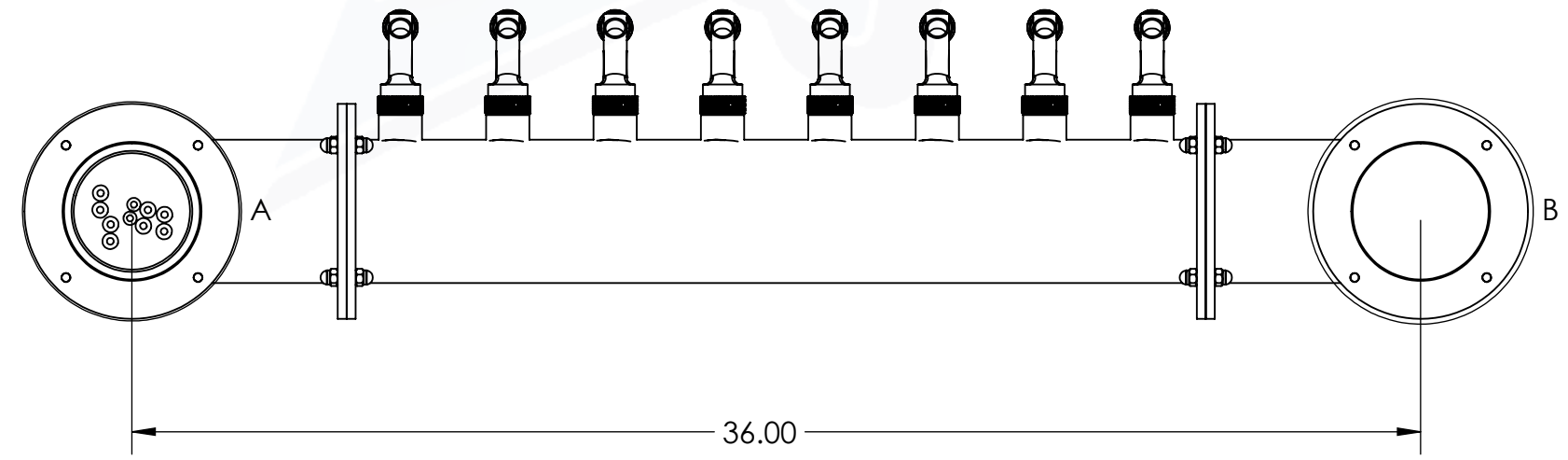
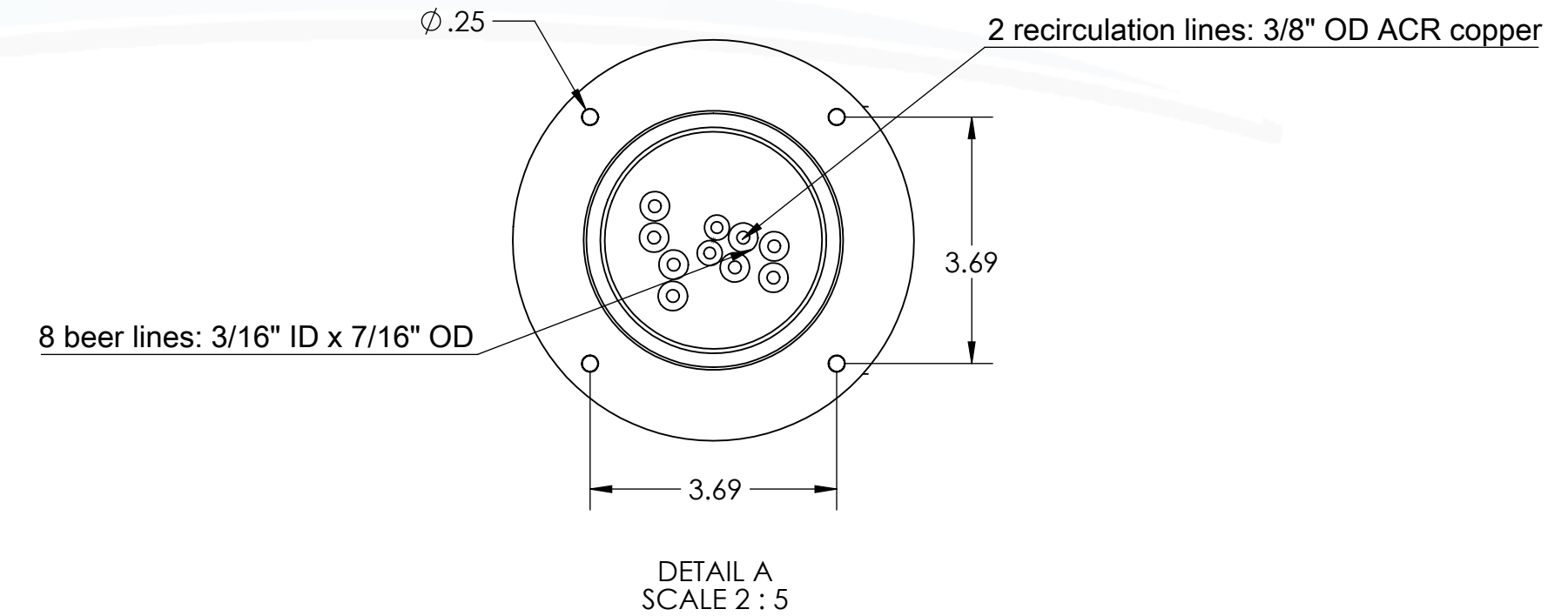


304SS tube connected to CBS NSF Flexible Total Barrier Tubing to 15lbs of Restriction



Suggested Drip Tray:  
 BB701324 - 24" x 7" BSS Drip Tray  
 BB702424 - 24" x 7" BSS Spray Drip Tray



Name		Date		Title:	
Drawn By:	Chillmax Beverages Solutions, LLC	09/10/2024		8T (3"OC)BSS LIONS GATE CH-MX CLD	
Approved By:	Production Manager				
Material:	304 SS	Finish:	Brushed SS	Part Number:	Revision:
				BB101829-08GC	
Unless otherwise mentioned, dimensions are inches					
Scale:					